

Large Payloads Robot

ER180-4-3200

ER180-4-3200 is a large payloads robot.
Maxium payload 180 kg with maxium reach 3160 mm.

Highlights

Thanks to the excellent stiffness of the robot with sufficient arm span and high-speed intelligent palletization process package, the takt is improved by 15%, bring customers more efficiency; Multiple specific application software could be integrated, with soft PLC and a variety of field bus interface, which enable customers easily face various application challenges; High performance collision detection function helps safety realization.

Applications

It can be widely used in handling, machine tending, palletizing and other applications.

Industries

Suitable for metal parts, photovoltaic, logistics, cement, food and beverage, and other industries.



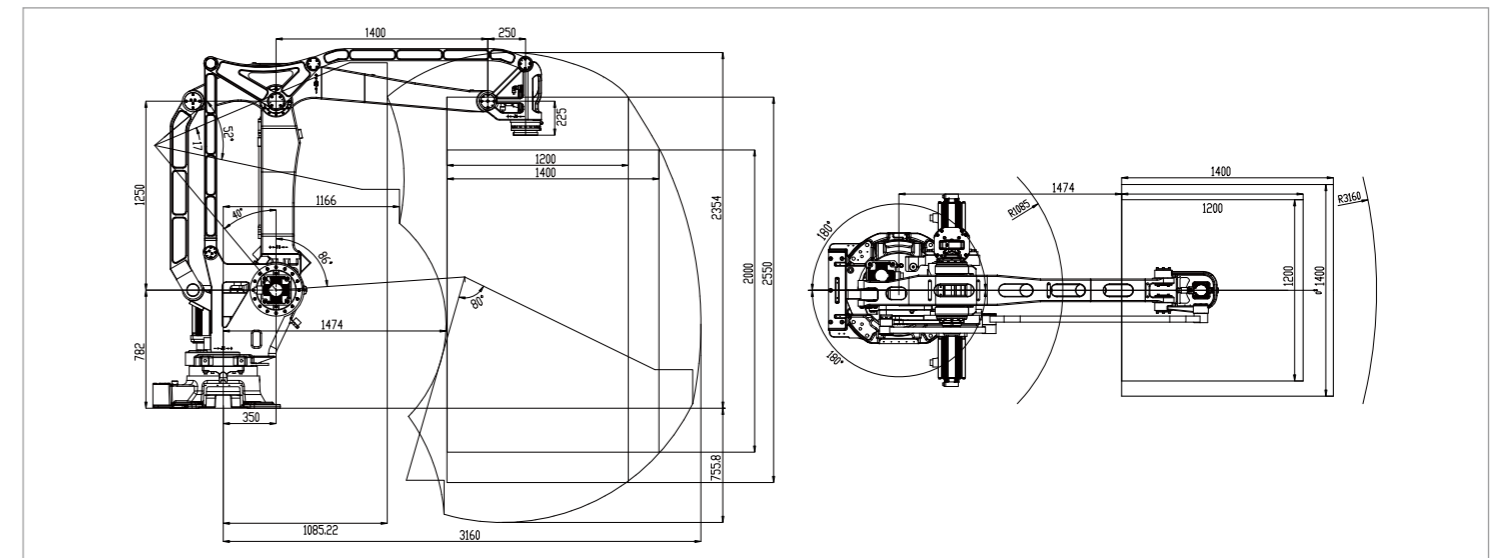
EFORT

SPECIFICATIONS

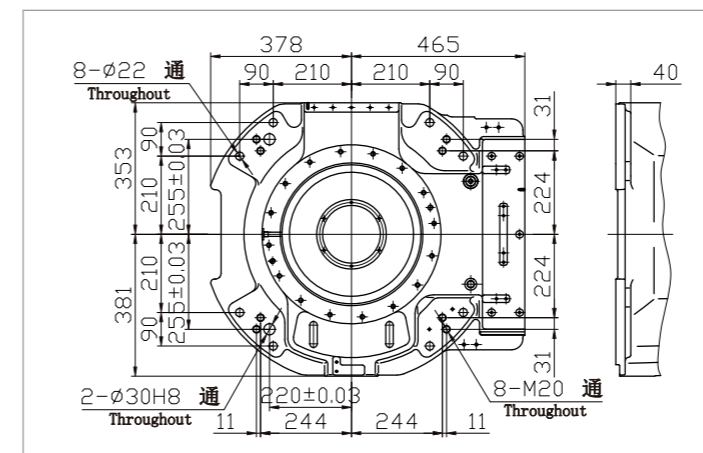
Model	ER180-4-3200	
Type	Articulated Type	
Controlled Axes	4 Axes	
Wrist Payload	180 kg	
Repeatability	±0.1 mm	
Robot Weight	1350 kg	
Reach	3160 mm	
Robot IP Grade	IP65	
Cabinet IP Grade	IP54	
Environment Requirements	Ambient Temperature	0~45 °C
	Humidity	< 75%RH (No Condensation)
	Vibration Acceleration	4.9 m/s ² (< 0.5 G)

Drive Method	Electric servo drive by AC servo motor	
Installation	Floor, Wall mount	
Allowable Torque	J4	190 N.m
Allowable Moment of Inertia	J4	56.6 kg.m ²
Maximum Speed	J1	104°/sec
	J2	104°/sec
	J3	104°/sec
	J4	210°/sec
Motion Range	J1	± 180°
	J2	+40°/-86°
	J3	+60°/-52°
	J4	± 360°
	J2+J3	-106° < (J2+J3) < +23°

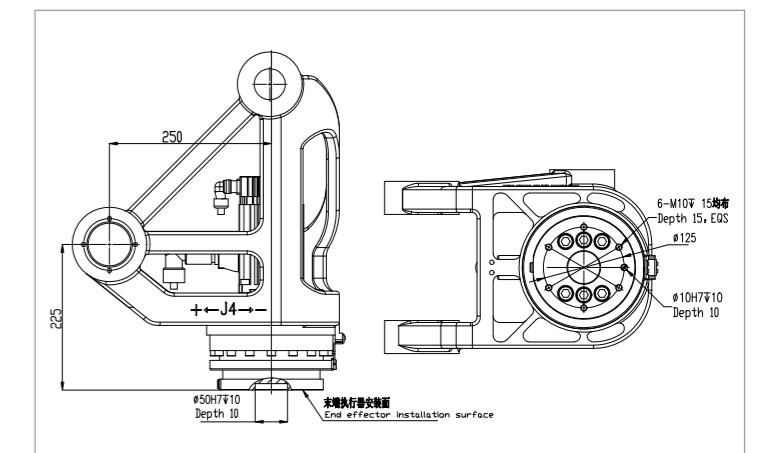
OPERATING SPACE



BASE MOUNTING SIZE



END FLANGE MOUNTING SIZE



EFORT INTELLIGENT EQUIPMENT CO.,LTD.

PHONE: (00 86) 400-052-8877

ADDRESS: No.96 East WanChun Road, JiuJiang Economic Development Zone, Wuhu, Anhui, China

WWW.EFORT.COM.CN